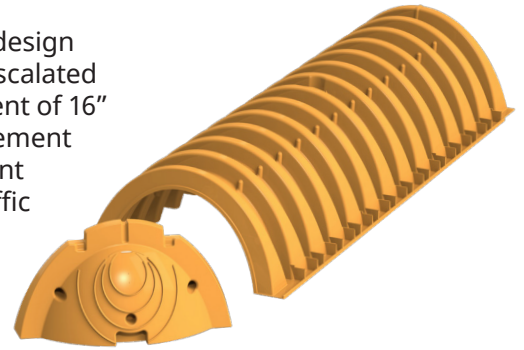


StormTech® SC-310-3 Chamber

The proven strength and durability of the SC-310-3 Chamber allows for a design option for sites where limited cover, limited space, high water table and escalated aggregate cost are a factor. The SC-310-3 has a minimum cover requirement of 16" (400 mm) to bottom of flexible pavement and reduces the spacing requirement between chambers by 50% to 3" (76 mm). This provides a reduced footprint overall, reduces aggregate needed, and allows the designer to offer a traffic bearing application yet comply with water table separation regulations.

StormTech chambers can also be used in conjunction with Green Infrastructure, thus enhancing the performance and extending the service life of these practices.



Nominal Chamber Specifications

(not to scale)

Size (L x W x H)

85.4" x 34" x 16"
2170 mm x 864 mm x 406 mm

Chamber Storage

14.7 ft³ (0.42 m³)

Min. Installed Storage*

29.3 ft³ (0.83 m³)

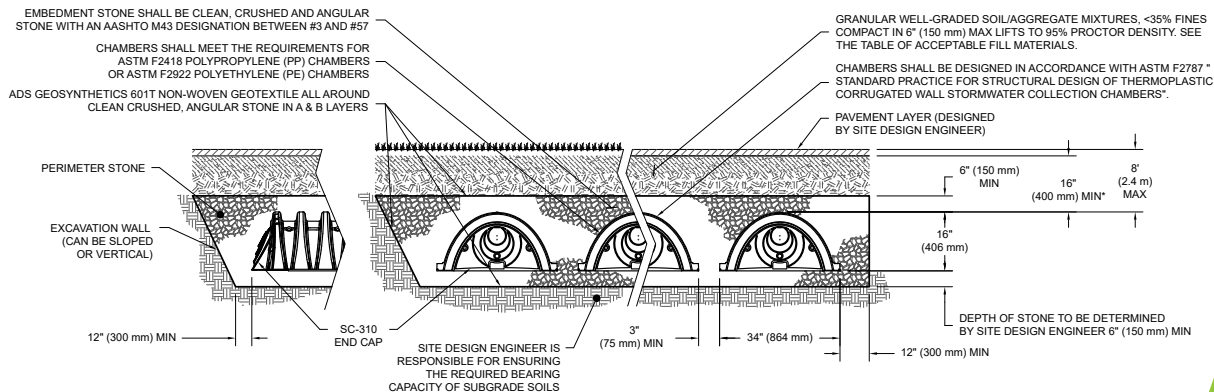
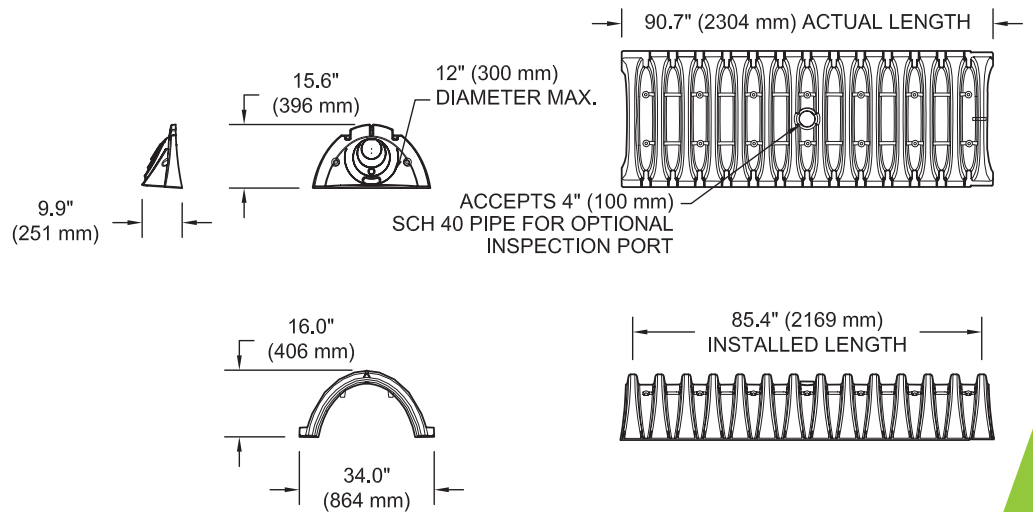
Weight

37.0 lbs (16.8 kg)

Shipping

55 chambers/pallet
108 end caps/pallet
18 pallets/truck

*Assumes 6" (150 mm) stone above and below chambers and 40% stone porosity.



StormTech SC-310-3 Specifications

Cumulative Storage Volumes Per Chamber

Assumes 40% Stone Porosity. Calculations are Based Upon a 6" (150 mm) Stone Base Under Chambers.

Depth of Water in System Inches (mm)	Cumulative Chamber Storage ft ³ (m ³)	Total System Cumulative Storage ft ³ (m ³)
28 (711)	14.70 (0.416)	29.34 (0.831)
27 (686)	14.70 (0.416)	28.60 (0.810)
26 (660)	14.70 (0.416)	27.87 (0.789)
25 (635)	14.70 (0.416)	27.14 (0.769)
24 (610)	14.70 (0.416)	26.41 (0.748)
23 (584)	14.70 (0.416)	25.68 (0.727)
22 (559)	14.70 (0.416)	24.95 (0.707)
21 (533)	14.64 (0.415)	24.18 (0.685)
20 (508)	14.49 (0.410)	23.36 (0.661)
19 (483)	14.22 (0.403)	22.47 (0.636)
18 (457)	13.68 (0.387)	21.41 (0.606)
17 (432)	12.99 (0.368)	20.25 (0.573)
16 (406)	12.17 (0.345)	19.03 (0.539)
15 (381)	11.25 (0.319)	17.74 (0.502)
14 (356)	10.23 (0.290)	16.40 (0.464)
13 (330)	9.15 (0.260)	15.01 (0.425)
12 (305)	7.99 (0.227)	13.59 (0.385)
11 (279)	6.78 (0.192)	12.13 (0.343)
10 (254)	5.51 (0.156)	10.63 (0.301)
9 (229)	4.19 (0.119)	9.11 (0.258)
8 (203)	2.83 (0.081)	7.56 (0.214)
7 (178)	1.43 (0.041)	5.98 (0.169)
6 (152)	0	4.39 (0.124)
5 (127)	0	3.66 (0.104)
4 (102)	0	2.93 (0.083)
3 (76)	0	2.19 (0.062)
2 (51)	0	1.46 (0.041)
1 (25)	0	0.73 (0.021)

Note: Add 0.73 ft³ (0.021 m³) of storage for each additional inch (25 mm) of stone foundation.

ADS StormTech products, manufactured in accordance with ASTM F2418 or ASTM F2922, comply with all requirements in the Build America, Buy America (BABA) Act.

Storage Volume Per Chamber ft³ (m³)

	Bare Chamber Storage ft ³ (m ³)	Chamber and Stone Foundation Depth in. (mm)		
		6 (150)	12 (300)	18 (450)
SC-310-3 Chamber	14.7 (0.42)	29.30 (0.83)	33.7 (0.95)	38.1 (1.08)

Note: Assumes 6" (150 mm) stone above chambers, 3" (76 mm) row spacing and 40% stone porosity.

Amount of Stone Per Chamber

English Tons (yds ³)	Stone Foundation Depth		
	6"	12"	18"
SC-310-3	1.9 (1.4)	2.5 (1.8)	3.1 (2.2)
Metric Kilograms (m ³)	150 mm	300 mm	450 mm
SC-310-3	1724 (1.0)	2268 (1.3)	2812 (1.7)

Note: Assumes 6" (150 mm) of stone above and 3" (76 mm) between chambers.

Volume Excavation Per Chamber yd³ (m³)

	Stone Foundation Depth		
	6 (150)	12 (300)	18 (450)
SC-310-3	2.6 (2.0)	3.0 (2.0)	3.4 (2.6)

Note: Assumes 3" (76 mm) of row separation and 6" (150 mm) of stone above the chambers and 16" (400 mm) of cover. The volume of excavation will vary as depth of cover increases.

Working on a project?

Visit us at adspipe.com and utilize the Design Tool

